



Bidet - Tara.

Single-hole bidet mixer with drain - polished chrome

Article number: 24 510 892-00



- 4-7/8" Projection
- European drain with overflow
- swivels 15°
- Round aerated stream
- Total height 7-1/8"
- Height to aerator/spout outlet 4-7/8"
- 1-3/8" hole diameter
- Flange diameter 2-3/8"
- 2x 10 mm European flexible supply lines
- Water flow rate limited to max. 1.8 gpm

Codes & Standards

- ASME A112.18.1/CSA B125.1
- ADA

- Fittings group in compliance with DIN 4109: 1



polished chrome

Accessory is required for this item.

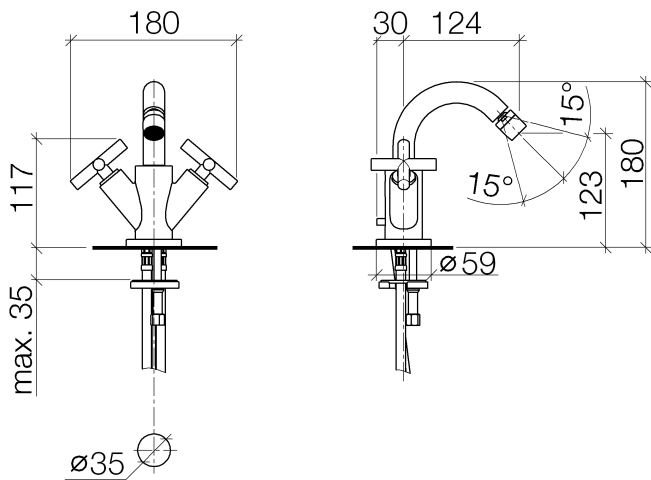


Bidet - Tara.

Single-hole bidet mixer with drain - polished chrome

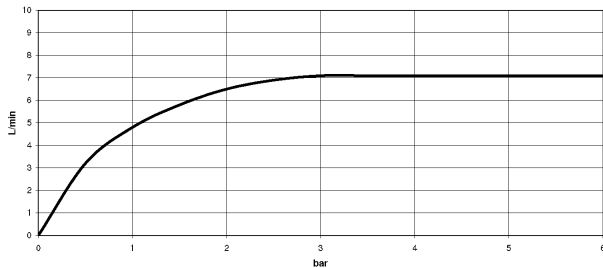
Article number: 24 510 892-00

Dimensional drawing



All dimensions in mm / inch = mm x 0,0394

Flow rate chart





Bidet - Tara.

Single-hole bidet mixer with drain - polished chrome

Article number: 24 510 892-00

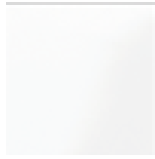
Other surface finishes



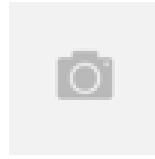
platinum matte
24 510 892-06



platinum
24 510 892-08



white matte
24 510 892-10



Brushed Durabrass
24 510 892-28



black matte
24 510 892-33



Dark Platinum matte
24 510 892-99

More custom finish options are available via special production (xTra Service). Please see our finish matrix for availability and pricing or contact a Dornbracht representative.



04 30 04 045 00 90
Flexible supply line 3/8" -



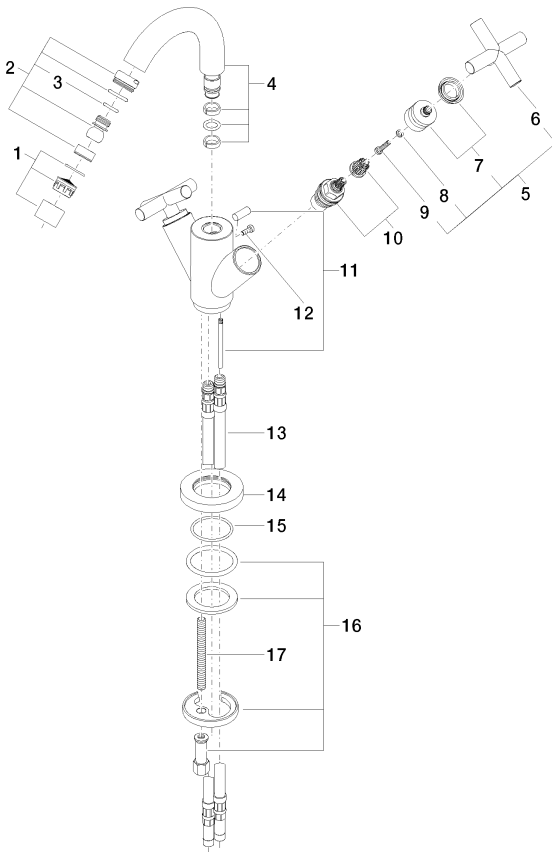
04 11 01 023 00-00
Drain 1" - polished chrome

Bidet - Tara.

Single-hole bidet mixer with drain - polished chrome

Article number: 24 510 892-00

Spare parts list



Number	Item Number	Designation	Number of units
1	90 23 01 004 05-00	aerator	1
2	04 21 40 007 00-00	joint	1
3	09 14 10 011 90	seal	1
4	90 28 22 216 00-00	spout	1
5	04 20 89 010 00-00	handle	2
6	09 20 89 010-00	handle	2
7	90 12 12 007 00-00	base	2
8	09 30 11 029 90	disc	2
9	09 30 30 075 90	screw	2
10	90 90 03 151 00 90	top	2
11	04 20 89 035 80-00	pull-rod	1
12	09 30 30 054 90	screw	1
13	04 30 04 016 00 90	hose	2
14	09 28 10 132-00	ring	1
15	09 14 10 134 90	seal	1
16	04 30 11 038 00 90	fixing set	1
17	09 31 11 011 90	pin	1
18	04 11 01 001 00-00	pop-up waste	1

18 — Ablaufgarnitur 04.11.01.001.00-R