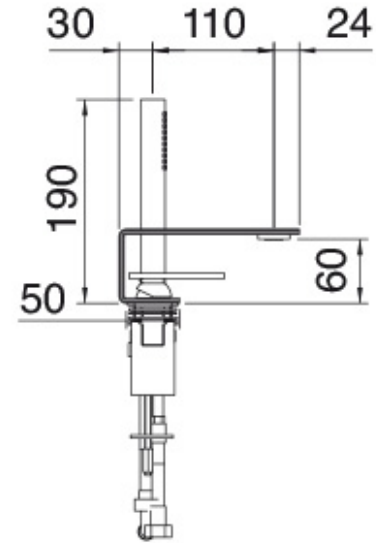
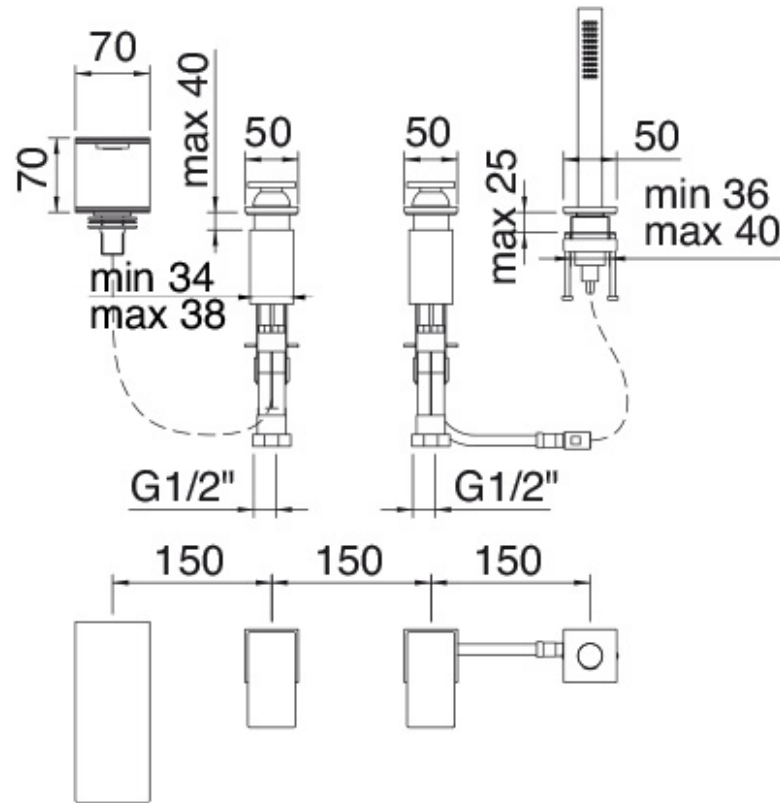


2868

FINISHES:



FROSTED INOX



tremme RUBINETTERIE
instruments for water