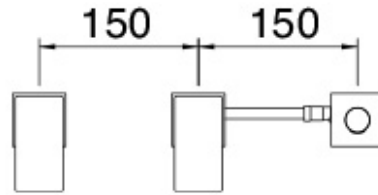
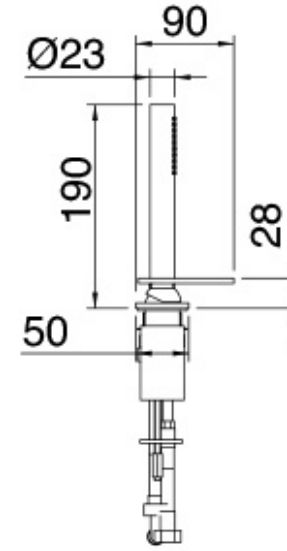
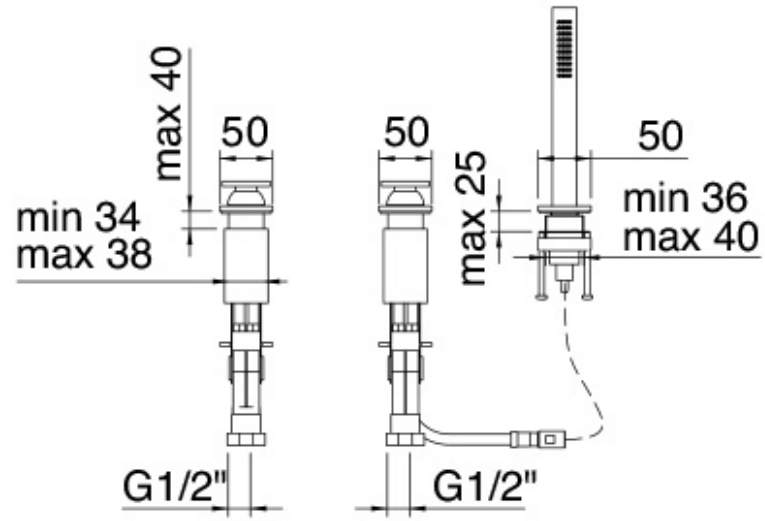


# 2869

FINISHES:



FROSTED INOX



RUBINETTERIE  
**treemme**  
*instruments for water*