

Date:

Client:

Project:

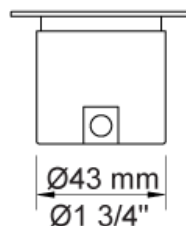
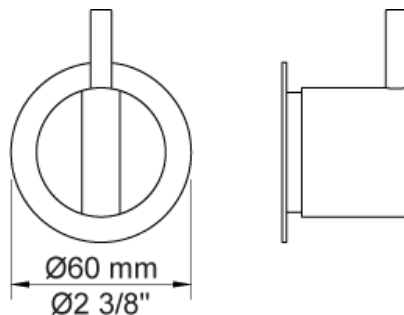


2201

One-handle build-in mixer with ceramic disc technology. 2201UP = Build-in mixer 2200V. 2201AP = Handle NR21, 60 mm circular flange 2001.

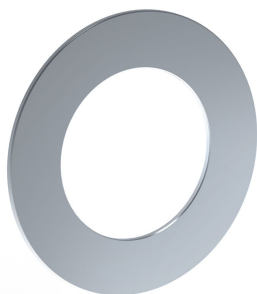
Flow

	Bar:	1.0	2.0	3.0	4.0	5.0
2201	(l/min)	14.4	20.4	25.0	28.9	32.3

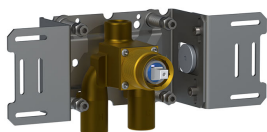
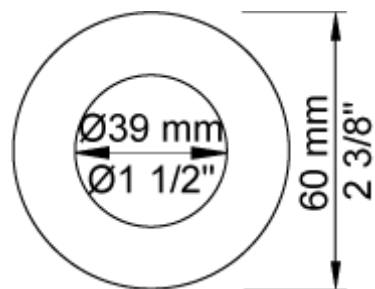


Available in colors

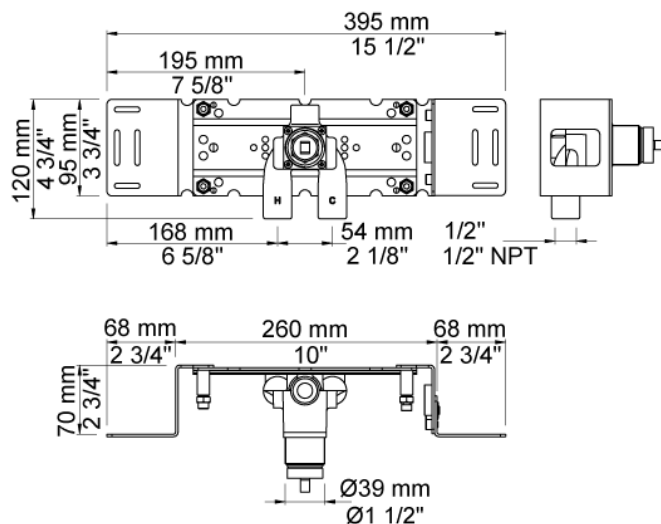
Color 02, Grey	Color 17, Gloss black
Color 04, Light blue	Color 18, White
Color 05, Orange	Color 19, Natural brass
Color 06, Light green	Color 20, Brushed chrome
Color 08, Yellow	Color 21, Carmine red
Color 09, Dark grey	Color 25, Pink
Color 12, Mocca	Color 27, Matt black
Color 14, Bright red	Color 28, Matt white
Color 15, Dark blue	Color 40, Brushed stainless steel
Color 16, Polished chrome	



2001
60 mm circular flange. Hole Ø39 mm.



2200V
One-handle build-in mixer for high flow. 1/2" connection to copper, steel, iron or pex pipe work.



NR21
Operating handle for 2100, 2200, 2300, 2400 incl. variants. Ø43 mm.

